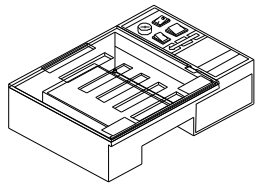


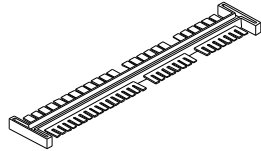
AFTER-SALES SERVICES

- If troubles occur due to defects in materials or workmanship in 30 days from the delivery date of the apparatus, Bioer Corporation shall be responsible for replacement.
- If troubles occur due to defects in materials or workmanship in 12 months from the delivery date of the apparatus, Bioer Corporation shall be responsible for repair and maintenance. During this warranty period, Bioer Corporation shall repair or replace the proved-defective apparatus.
- For any repair beyond the warranty period, proper repair cost shall be paid to Bioer Corporation
- For any damage resulted from user's improper operation, operation under unqualified conditions, or unauthorized maintenance or modification, the above guarantee conditions shall not be applicable.

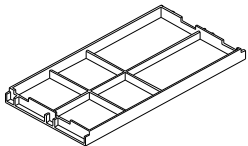
PACK LIST



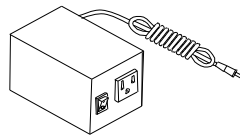
Electrophoresis apparatus, 1 set



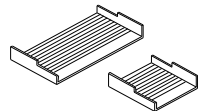
Sample combs, 2 pieces



Gel chamber, 1 piece



Conversion transformer, 1 set



Slide slab, 1 set (6 pieces)

4 Accompanied documents

- Operation instruction: 1 copy

Headquarter Address:

1F Sumitomo Mita Building, 5-37-8 Shiba, Minato-ku, Tokyo, 108-0014, Japan

Factory Address:

1192 Bin An Rd, Hi-tech (Binjiang) District, Hangzhou, 310053, P.R. China

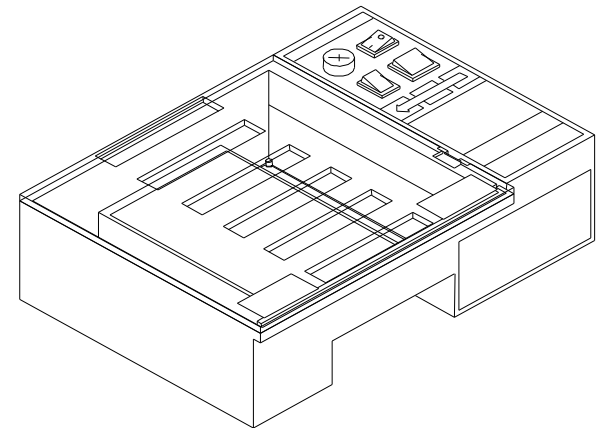
Fax: +86-571-87774565

Phone: +86-571-87774575, 87774558, 87774567

Website: <http://www.bioer.com.cn>

Email: bioer@bioer.com.cn

Mini-Run Gel Electrophoresis system



BIOER TECHNOLOGY CO.,LTD.

FEATURES

- Built-in DC power, be able to conduct electrophoresis directly with AC power;
- Compact, light, easy in carrying and operation, suitable for teaching, scientific research, medical-care and filed medical-analysis;
- Suitable for agarose and polyacrylamide gel;
- Corrosion-resistant platinum electrode and long service life;
- Cover and slide slab made of polycarbonate, resistant to corrosion and shock;
- Suitable for 220V AC power through using a conversion transformer.

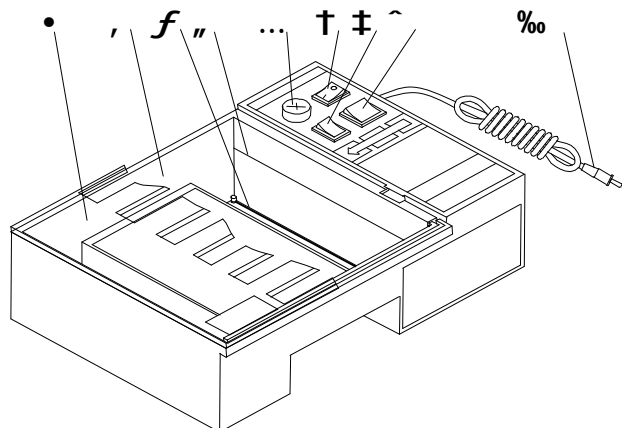
TECHNICAL PARAMETERS

- Input power: AC100~110V 50/60Hz
AC220V 50Hz(with conversion transformer)
- Output voltage: DC50V or DC100V
- Volume of buffer solution: 250ml
- Size(L×W×H): 192mm×130mm×60mm (main unit)
- Weight: 320g (main unit)

PARAMETERS OF ATTACHMENTS

- Specifications of sample comb :
(tooth width×tooth thickness× numbers of teeth)
4mm×1mm×8
4mm×1mm×17
6mm×1mm×6
6mm×1mm×12
- Dimensions of gel chamber : 60mm×55mm (4 pieces)
110mm×55mm (2 pieces)
- Dimensions of slide slab :60×55 and 110×55(mm×mm)
- Conversion transformer : AC220V (input)
/AC110V (output)

SCHEMATIC STRUCTURAL DIAGRAM



- cover
- , electrophoresis tank
- f platinum electrode
- ” mark
- ... fuse
- † power switch
- ‡ power selector
- ~ polarity change-over switch
- ⏻ power plug

PREPARATION OF GEL

- Placing the slide slab in the gel chamber and vertically inserting the sample combs over the slide slab;
- Pouring the molten gel and letting the gel cold down and solidify;
- Pulling out sample combs and completing the preparation of gel;
- The gel may be moved by grasping both sides of the slide slab with thumb and forefinger.

INSTRUCTION TO ELECTROPHORESIS APPARATUS

- Filling 250 ml electrophoresis buffer solution into the electrophoresis tank to flushing of the liquid level with the mark inside the tank;
- Moving the prepared gel into the electrophoresis tank through the slide slab;
- Covering the electrophoresis tank;
- Setting the voltage selector at the desired electrophoresis voltage (50V or 100 V);
- Setting the electrophoresis direction with DC polarity switch. When the switch is set at (+) and (-) position, the electrophoresis is at the arrow direction indicated on the panel;
- Putting the power plug into socket; (Note: The input voltage shall be AC 110V. In case of AC 220 V power supply, the voltage shall be changed over through a conversion transformer.)
- Turning on the power switch to start electrophoresis.

TROUBLESHOOTING

Trouble	Possible causes	Processing procedures
No lighting on of the indication lamp	No connection of power supply ; Burning out of fuse .	Properly inputting power supply ; Replacing fuse .
No electrophoresis phenomena	Not turning on of power switch ; Not covering the electrophoresis tank .	Turning on power supply ; Covering the tank .
Reverse electrophoresis direction	Reverse polarity of DC power .	Changing over the polarity switch .
Abnormal electrophoresis distance	Incorrect voltage of input power ; Incorrect selection of voltage .	Checking the voltage of input power ; Checking voltage selector.

CLEANING AND MAINTENANCE

- The stained surface of the electrophoresis apparatus and conversion transformation, if any, shall be wiped with wet clean cloth. Cleaning with corrosive detergents shall not be allowed and during the cleaning the power shall be cut off;
- The gel chamber, sample combs and slide slabs may be washed with clean water or neutral detergents;
- During cleaning of the electrophoresis tank, cares shall be taken to ;
- prevent the cleaning liquid from running into the electrical box through the protection switch.