

# Electrodes

## CUY520P5, P15 (Former CUY522, CUY523)

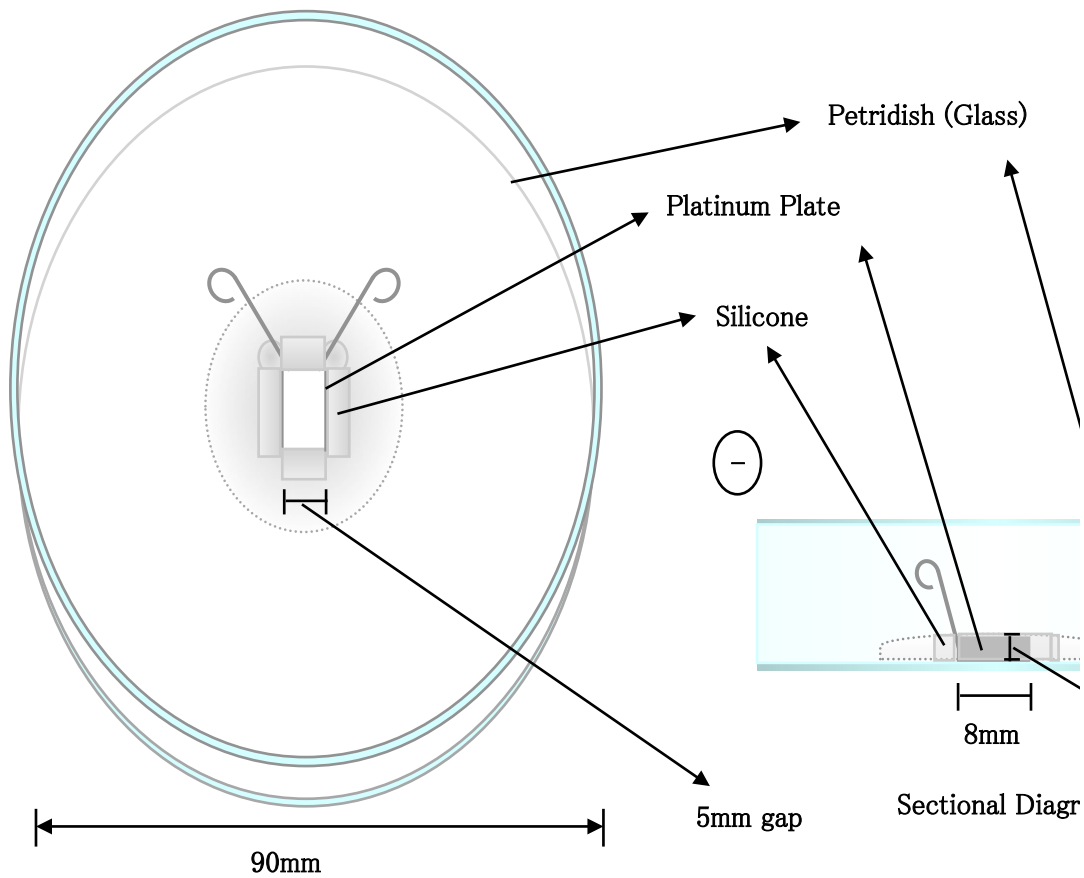
Petridish Parallel Platinum Plate Electrode

CUY520P5: L8 x W5 x H3 mm, 5mm gap (Fukuda Type)

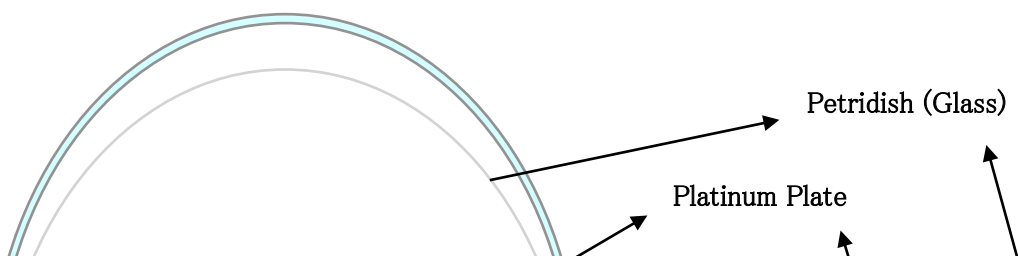
CUY520P15: L10 x W15 x H5 mm, 15mm gap (Osumi Type)

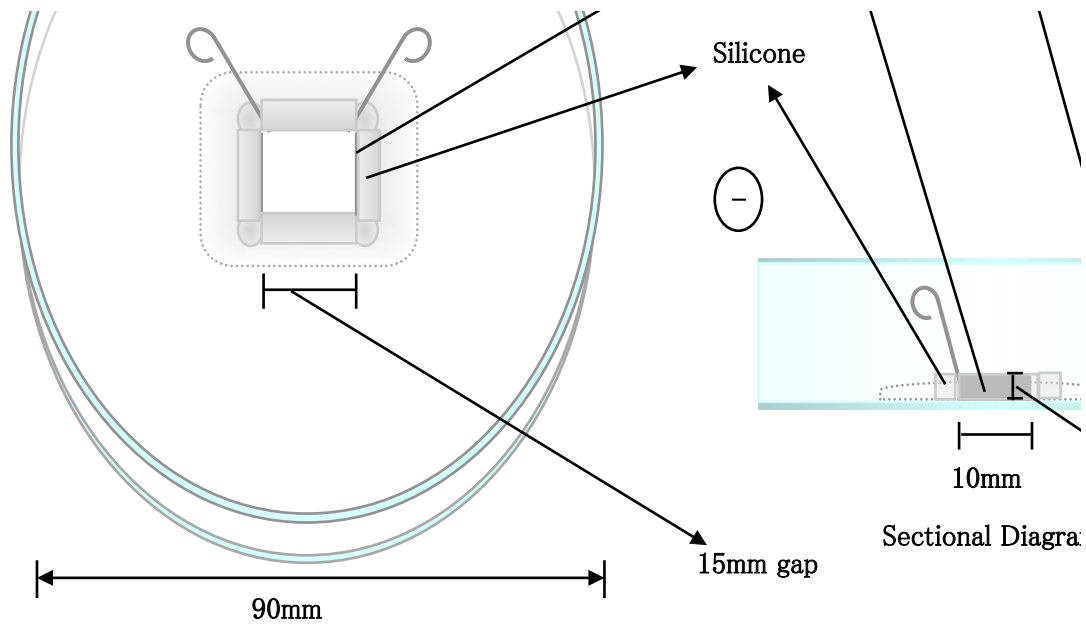
Autoclavable

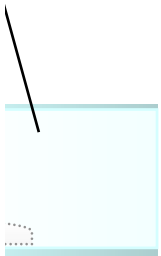
## CUY520P5 (Former CUY522)



## CUY520P15 (Former CUY523)

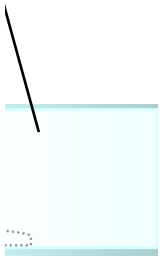






3mm

am



5mm

m